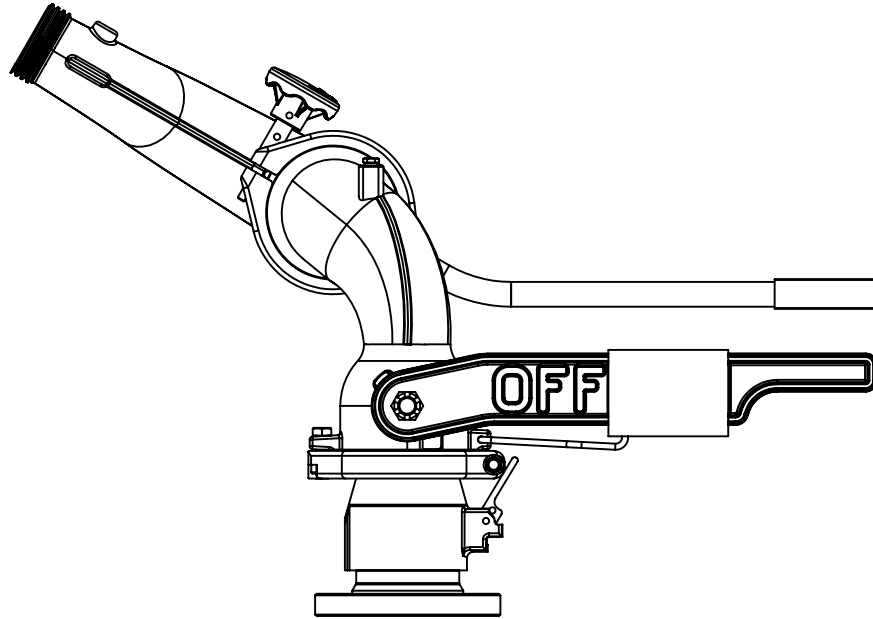
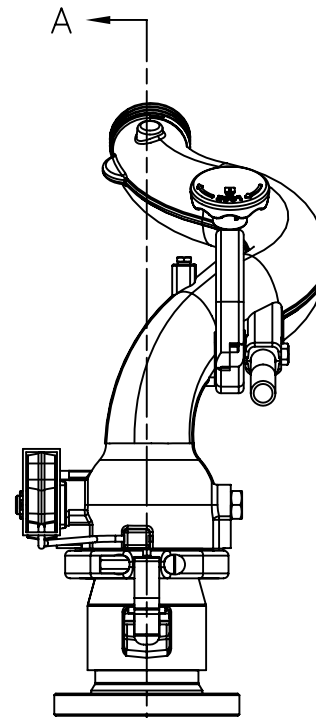


TOP VIEW



FRONT VIEW



SIDE VIEW

TASK FORCE TIPS, INC.
 2800 E. EVANS AVE.
 VALPARAISO, IN 46383
 219-462-6161



REV	DATE	INITIALS
1	1/9/06	ELS
2	1/11/10	CPD

SCALE: 1:8

PRINT DRAWN

3/29/05 CPD

PRINT APPROVED

1/11/10 JZP

DESIGN ENGINEER

Robert W. Steingass

DIMENSIONS IN 'INCHES' UNLESS SPECIFIED OTHERWISE

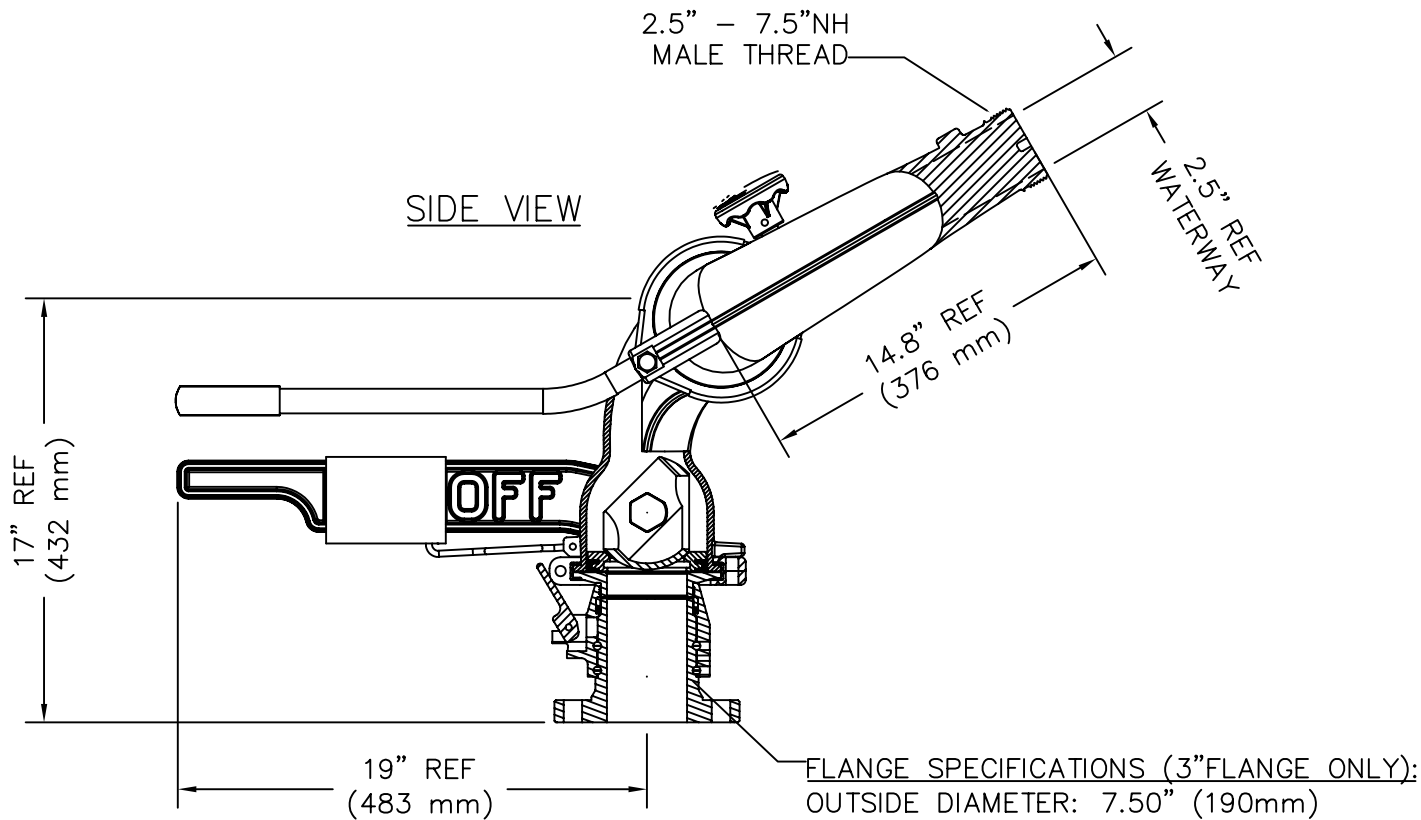
FILE: Z\FIN & SUB\Z1111A

PART NUMBER: Z1111A

SHEET
1 OF 2


DESCRIPTION: PROTECTOR-RED-VALVE-3"ANSI 150

EXTRA DESC: 2.5" OUTLET - ALUMINUM



WEIGHT: 43.6 lb (19.8 kg)

TASK FORCE TIPS, INC.
 2800 E. EVANS AVE.
 VALPARAISO, IN 46383
 219-462-6161



REV	DATE	INITIALS
1	1/9/06	ELS
2	1/11/10	CPD

SCALE: 1:8

PRINT DRAWN
3/29/05 CPD

PRINT APPROVED
1/11/10 JZP

DESIGN ENGINEER
Robert W. Steingass

DIMENSIONS IN 'INCHES' UNLESS SPECIFIED OTHERWISE

FILE: Z\FIN & SUB\Z1111A

PART NUMBER: Z1111A

DESCRIPTION: PROTECTOR-RED-VALVE-3"ANSI 150

EXTRA DESC: 2.5" OUTLET - ALUMINUM

SHEET
2 OF 2